

Excel Verticab 3U Front Mount + 2U Rear Mount

Item Code: 350-752



✕ Supplied with 2 x Keys

✕ Lockable Lid

✕ Supplied with cage nuts and fixings

Product Overview

The Excel VertiCab offers a flexible solution for mounting equipment or patch panels, both copper and fibre, and a variety of positions. This cabinet may be mounted on the Wall, on the Ceiling or in the Floor Void. The cabinet provides 3U of deep mounting and 2U of shallow mounting to accommodate various patch panels and equipment.

The Excel VertiCab is ideal for use as a Consolidation Point, Small Active Equipment Housing or Local Active Equipment distribution point.

The Max depth of a switch on front profiles if rear profiles are both populated would be 200mm Max.

The Max depth of a switch on front profiles if one rear profile is populated would be 240mm Max.

The Max depth of a switch on front profile if rear profiles are not populated would be 280mm Max.

Product Specifications

Feature	Values
Model	Verticab
Number of doors	1
Width	500 mm
Height	475 mm
Depth	140 mm
Modular spacing	19 inch
Number of rack units (RU)	5
With front door	Yes
Material	Metal
Type of surface	Phosphate Coating

Excel Verticab 3U Front Mount + 2U Rear Mount

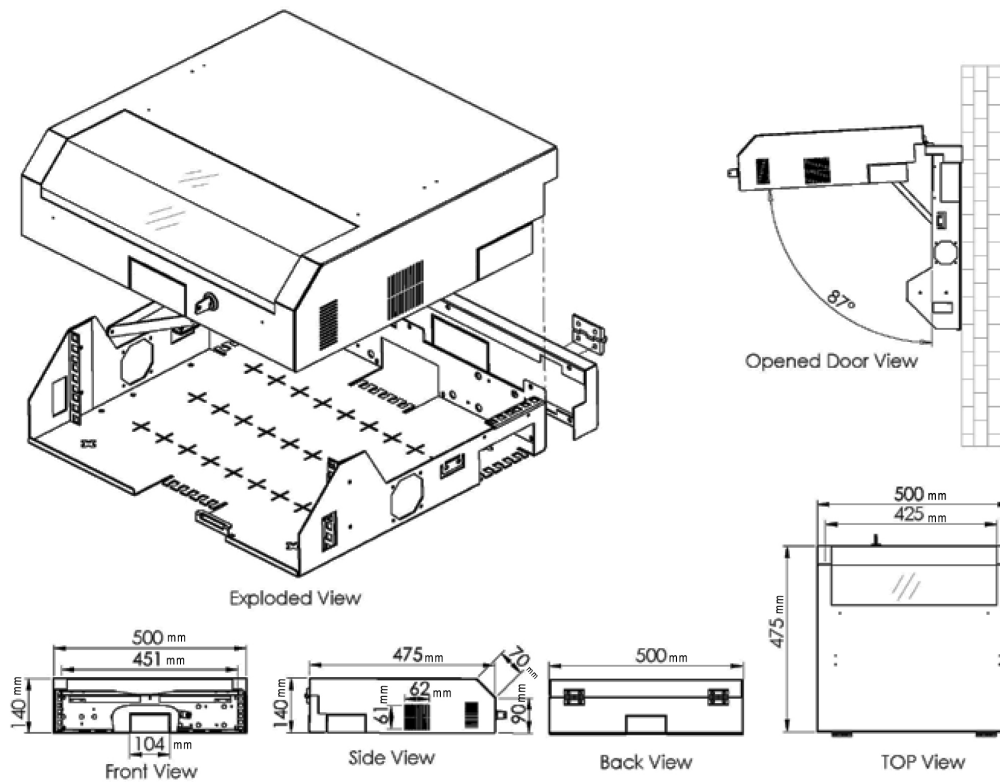
Item Code: 350-752

excel
without compromise.

Colour

Dark Grey

Product drawing



Standards

Applicable standard	Detail
EN 61587-1	Mechanical structures for electronic equipment. Tests for IEC 60917 and IEC 60297.
	Climatic, mechanical tests and safety aspects for cabinets, racks, subracks and chassis
EN61587-1/5.2.1	Static Mechanical Load Lifting
EN61587-1/5.2.2	Static Mechanical Load Stiffness
EN61587-1/5.3.1, EN61587-1/5.3.3,	Dynamic Mechanical Load Vibration and Shock, Impact
IEC60068-2-6, IEC60068-2-27	
EN61587-1/6.2	Earth Bond

Excel Verticab 3U Front Mount + 2U Rear Mount

Item Code: 350-752



Part Number Table

Part Number	Description
350-752	Excel Verticab 3U Front Mount + 2U Rear Mount

Excel is a world class premium performing end to end infrastructure solution designed, Manufactured, supported and delivered without compromise.

Contact us at sales@excel-networking.com



E&OE. Excel is a registered trade name of Mayflex Holdings Ltd.